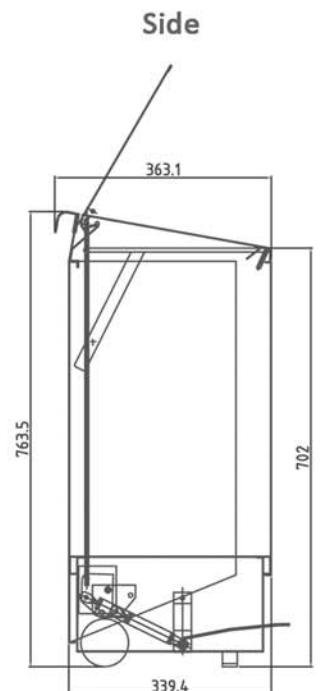
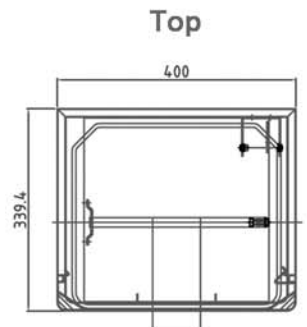
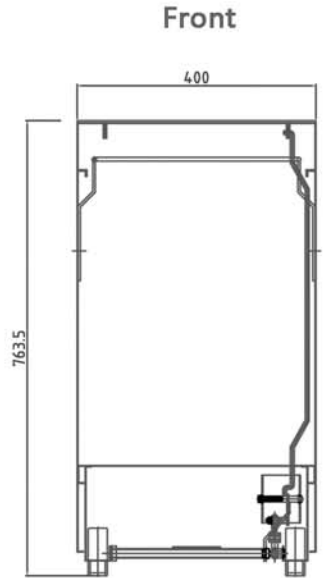


SMART BIN 60 L



Description	: SMART BIN 60 L (Hi-Clean 60 L)
Model	: SB60
Material	: SUS 304
Capacity	: 60 L
Dimension	: 400 x 340 x 764 (mm)
Packing method	: Carton box and Styrofoam
Packing dimension	: 450 x 440 x 810 (mm)
Gross weight	: 18 Kgs

Features:

1. Sturdy and durable polished Stainless Steel 304 material
2. Automatic soft close lid, Hydraulic damp
3. With front door for easy maintenance
4. Heavy-duty foot pedal for hands free operation
5. Heavy-duty casters wheel for easy to remove
6. Heavy-duty and easy to grip design